

TOTAL SOLUTIONS FOR MOVEMENT

HOME
ELEVATOR



FRANKSON®
GROUP

Elevator & Escalator

- www.franksonelevator.com
- www.frankson.in
- www.franksongroup.com

FRANKSONKRUPP
Safety, Comfort, Technology



About Us :

In the Year 1984 we started a Company named " KINGFISHER INDIA ELEVATOR ". Initially ,We were supplying all types of Elevator in some cities of India. In the Year 2001, we made an Elevator Factory in a 2 Storied Building covering an area of 21280 Sq. Feet near Kolkata.

With the intension of making our Company with a Brand Name We started FRANKSON BRAND NAME with Registered Trademark, CE, ISO 9001-2008, ISO-18001-2007 & other Certifications in the Year 2008. Then we started Joint Venture in Technology Replacement with World Famous Branded Elevator Companies of China, Korea & European Countries.

FRANKSON GROUP is a growing Company. To provide better & prompt service & customer satisfaction , we started making a World Class Category Elevator Escalator & Travelator factory at Baduria covering an area of 57580 Sq Feet with four storied Decorative Office Complex Building. Now, We are importing 60% of the Materials from China , Korea , Europe & the rest 40% Materials are manufacturing in our own factory & then the Materials are being tested & assembled by our Qualified & Competent Engineer & then these Materials are installed in our Project site.

For Highrise Buildings , we are importing complete Lift Material from our associate Companies from China , Korea & European Branded Companies. You can compare our Lift Material with any Internationally reputed Branded Companies & this is our challenge. We have four types of Shipments & these are 1) Indian Shipment, 2) Chinese Shipment , 3) Korean Shipment, 4) European Shipment. As per the Customer's Project budget, we provide the Shipment.

Frankson Group (An ISO 9001-2008, ISO 18001-2007 & CE Certified Company) is a well known name in industry engaged in manufacturing, exporting, supplying and distributing of all types of high quality Elevators Escalator & Travelator. Our range of products includes Passenger lifts both with machine room and MRL, Home Lifts, Glass Panoramic Lifts, Hospital Lifts, Freight Lifts, Automobile Lift, Goods Lift, Hydraulic Lift, Escalators & Travelators. We are working on all cities of India & Nepal, Bhutan Bangladesh, Srilanka, Cambodia. Our Planning is to work on other Countries over the World. We have built a well developed infrastructure that is installed with latest machines and other related facilities that help us in fabricating the wide range of Lifts.



India Eastern Zone Second Factory
(38520 Sq. Ft. Area)



India Estran Zone Third Factory Having World Class Category Under Construction
(93234 Sq. Ft. Area)



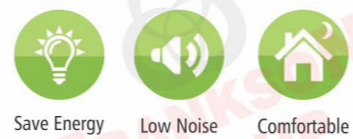
India Eastern Zone First Factory
(21280 Sq. Ft. Area)

Home Elevator

Villa Elevator

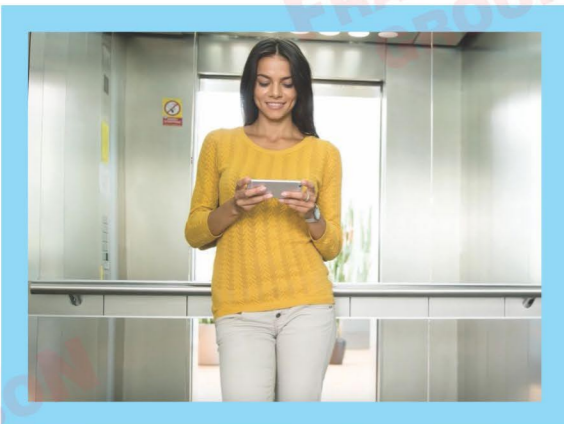


Mini Gearless Machine



Home elevators not only increase the value of your home, but can also provide you stunning showpiece. At the same time, home lifts can allow the disabled and elderly to easily move about a multi-level dwelling.

The term "home elevator" commonly refers to a lift enclosed in a shaft, and which can travel vertically as much as 15 m. (50 ft.). Home elevators make it easier to carry groceries, laundry or anything else from one floor to another. And today, they're fully customizable - choose from a wide range of materials, such as marble walls or stained glass, to turn your home elevator into an expression of your own unique style!



www.franksonelevator.com

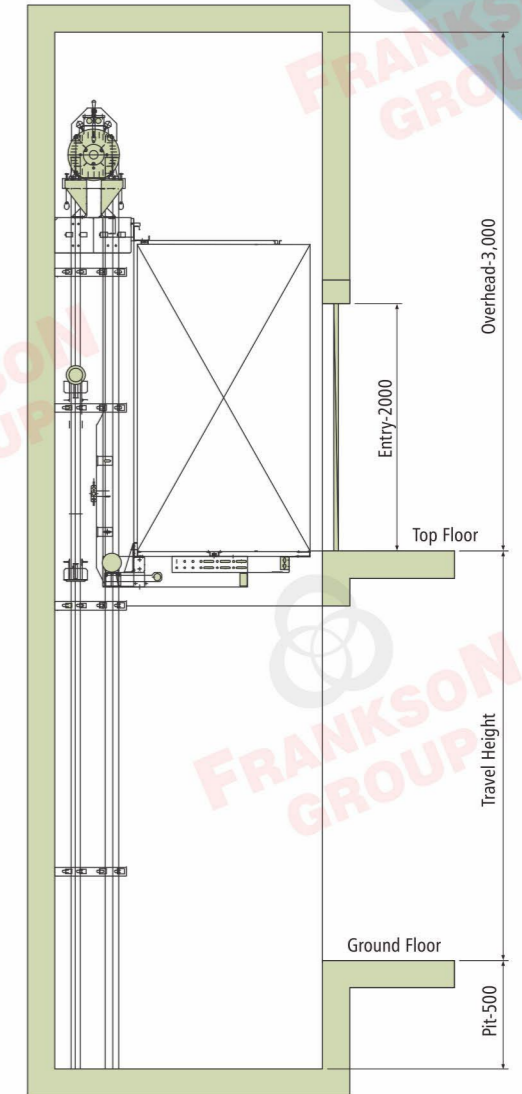
MRL Type (Machine Roomless)

Home Elevator

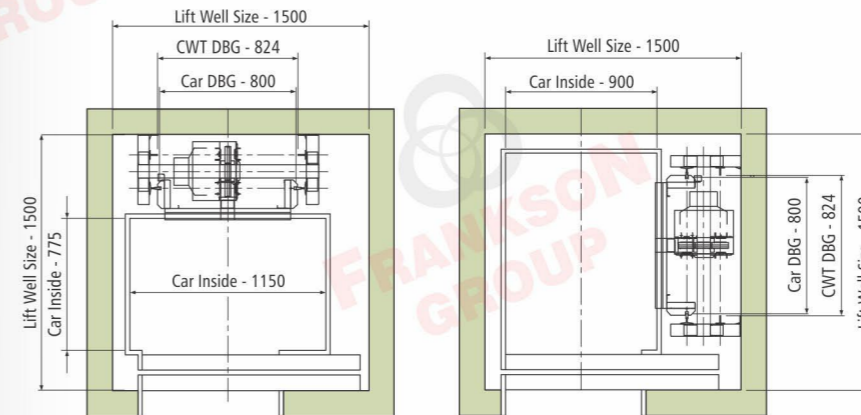
- ▶ Our home elevators are driven by a Permanent Magnet Gearless Machine. Only available until recently on high-end commercial elevators, this technology delivers extremely smooth, noiseless motion. No need to worry about being disturbed by the noise of the elevator in your living space!
- ▶ Multiple safety components (such as low-speed shaft braking and electrical dynamic braking) act either separately or combined, to provide the highest level of safety in the industry.
- ▶ Our home elevators are featured Machine Room-Less (MRL) design. They take up no additional space other than the hoist way.
- ▶ Our home elevators need no space overhead.
- ▶ Home elevator designs range from the most basic, unfinished open platform, to a fully enclosed cabin with safety gates and an interior finish constructed of hardwood, ceramic tile, marble or granite. The enclosed design uses standard interior doors, to blend in seamlessly with your home's décor.
- ▶ Your home elevator comes fully equipped with automatic controls and safety features like an emergency stop button, in-cab alarm, and a telephone jack that accommodates a standard household phone.



HOISTWAY ELEVATION DRAWING



LIFTWELL PLAN LAYOUT



RPM	120	Pulley Dia.	100 mm
Frequency	12 Hz.	Rope Dia.	4 mm
Voltage	230 VAC	No. of Ropes	4
Kw / Hp	0.75 / 1	Lifting Capacity	300 kg
Weight	70 kg.	Lift Speed	up to 0.50 m/s
Brake	Pick-up : 220 VDC	Max. Travel	15 Mts.
Voltage	Holding : 110 VDC	Starts / Day	100

Home Elevator

Home Elevator



40% Energy Saving

Low Noise

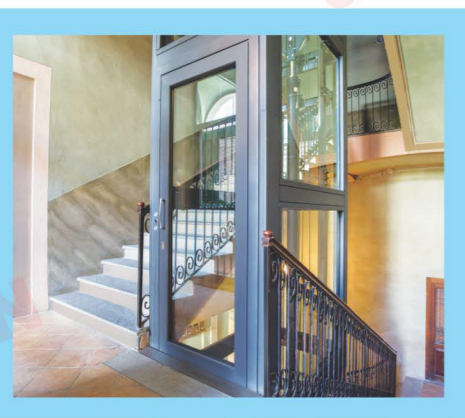
Eco Friendly

Application

- Home Lift.
- Wheelchair Person.
- Old Age Person.

Looking for a low-maintenance elevator? Hydraulic lifts provide the advantages of being relatively inexpensive, safe and easy to maintain. They're very convenient and cost-effective solution for low-rise buildings with low traffic.

Hydraulic elevators have been rated the safest option for home elevators. They boast superb user friendliness and easy access machine room located at the basement. Once they are put in place, hydraulic elevators provide the smoothest rides possible.



Hydraulic Type Home Elevator

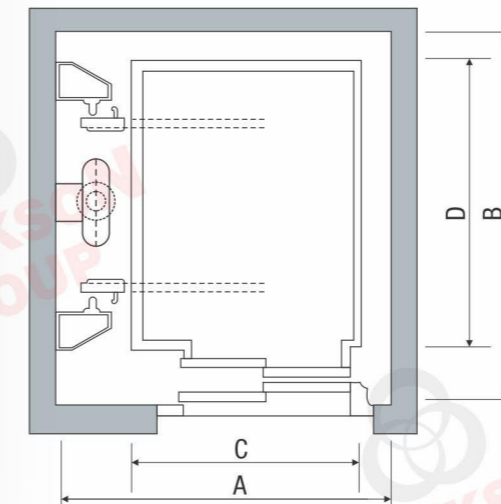


FRANKSONKRUPP hydraulic lifts gives you:

- ▶ Safe, secure and powerful vertical transportation.
- ▶ Low installation and maintenance cost compared to a traction lift.
- ▶ A longer operating lifetime.
- ▶ Comfort and low noise.
- ▶ Simple & fast installation.
- ▶ Single-time phase-3 power (for ascending) and phase-1 (for descending).
- ▶ Low unit cost, even with minimal inventory.

Roping Type

It is a single side direct suspension with a simple piston for regular loads and short travels of maximum 4 meters.

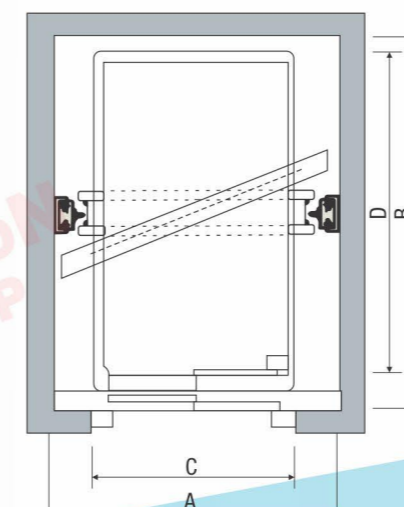


Person	Capacity Kg.	Shaft - W (A)	Shaft-D (B)	Car-W (C)	Card-D (D)
3	225	1500	1500	800	900
4	300	1550	1550	850	1050
5	375	1700	1700	1000	1100
6	450	1800	1800	1100	1150
8	600	1800	1800	1100	1400
10	750	1900	1900	1200	1550
12	900	2000	2000	1300	1650
15	1125	2000	2000	1300	2000
20	1600	2100	2100	1400	2400

PIT : 1200 mm • O.H. : 4000 mm

Roping Type

It is a single side direct suspension with dual simple pistons for heavy loads and short travels of maximum 4 meters.



Person	Capacity Kg.	Shaft - W (A)	Shaft-D (B)	Car-W (C)	Card-D (D)
10	750	1900	1950	1200	1550
12	900	2000	2050	1300	1650
15	1125	2000	2400	1300	2000
18	1350	2050	2650	1350	2250
20	1500	2100	2800	1400	2400
26	2000	2300	3000	1600	2600
33	1700	2500	3200	1700	2800
40	300	2700	3400	1900	3000

PIT : 1500 mm • O.H. : 4000 mm

Home Elevator

Villa Elevator

Hydraulic Type

Villa Elevator



Simple

FRANSONGROUP Homelifts plug directly into your domestic power sockets. In the event of a power cut, a battery back up will gently return you to the ground until power is restored. To get you from floor to floor, the lift is operated using the intuitive in-car control panel or through remote controls from outside the lift.

How It Works

Flexible

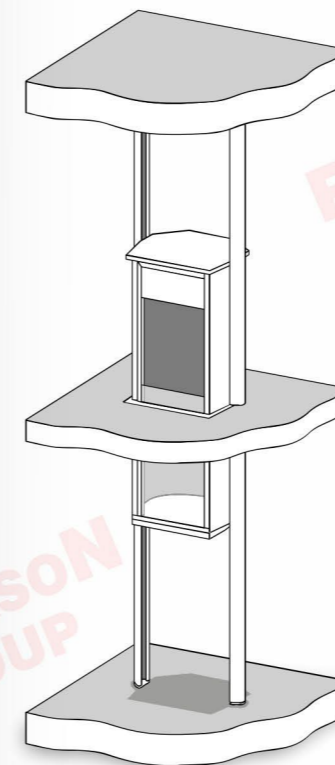
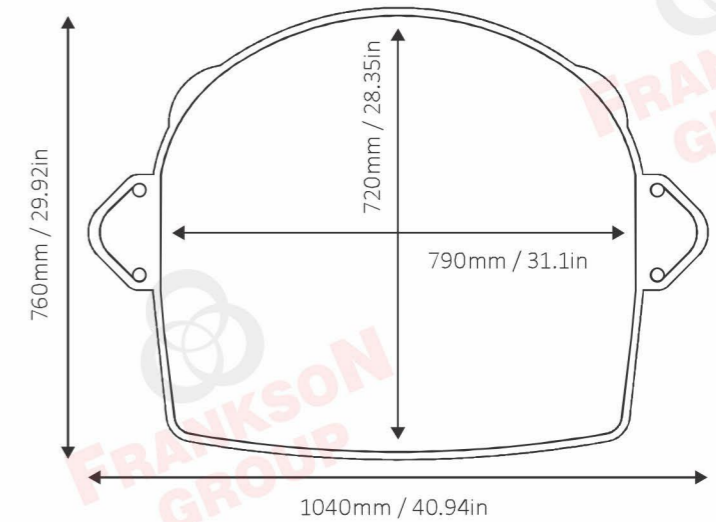
Due to the vertical, self supporting FRANSONGROUP, positioning a FRANSONGROUP Homelift into your home is very flexible. It is free standing so no load-bearing walls are required, and you don't need to worry about window or radiators being in the way. It can tuck into the corner of a room, the stairwell void, on a landing or even in a cupboard!

Space Saving

No visible hoists and no noisy motors. FRANSONGROUP Homelift's unique technology means the lift runs using discreet wire rope hoists and built-in drive equipment which is all neatly concealed within the lift car roof space. Meaning more space in your home for you, your furniture and your décor.



Installation Options



Technical Specification

LIFT TYPE	Domestic Personal Homelift that complies with the Machinery Directive 2006 / 42 / EC
HEIGHT LIMIT	Single floor. With a maximum of 4000mm of travel.
ELECTRICITY	230V socket – Plugs into a normal 13 amp power socket.
LOAD CAPACITY	Max. 170kg / 2 people.
DRIVE	Self-contained wire rope hoist system located in lift car roof space.
DIMENSIONS	1940mm Internal lift car height 790 x 720mm Lift car footprint 1040 x 760mm Overall footprint
CONTROL	Lift is controlled via the control panel and two remote controls. Additional remote controls are available.
LIFT CAR DOOR	1100mm hinged half-height door or full-height door options available. LED light curtain will protect the upper half of the car regardless of door height.
ILLUMINATION	Contemporary ambient lighting with high-quality LED strips.
LIFT HEIGHT	A minimum upper floor ceiling height of 2370mm is required for a full height lift car. For a modified, cut-down car, the minimum upper floor height is 2250mm
SPEED	Up to 150mm / sec
ENTRANCE CONFIGURATION	Single door

Cabin Design

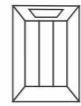
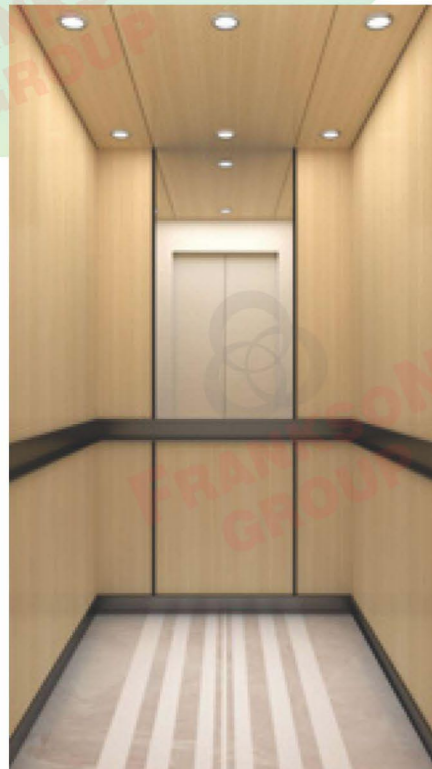


FRANKSON[®]
GROUP
Elevator & Escalator

www.franksonlevator.com



FRANKSON[®]
GROUP
Elevator & Escalator



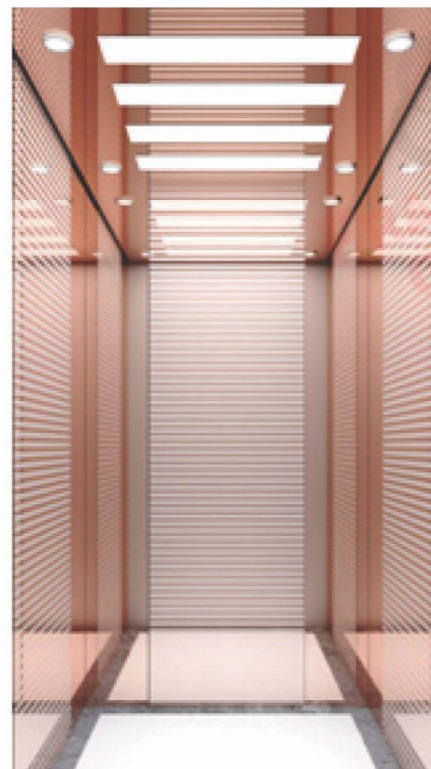
FGLEC -1007

- Ceiling** : Wooden plate
- Car wall** : Mirror stainless steel + wooden plate + PVD coating black hairline stainless steel
- Floor** : PVC



FGLEC -1008

- Ceiling** : PVD coating black hairline stainless steel
- Car wall** : Hairline stainless steel + wooden plate
- Floor** : Marble



FGLEC -1009

- Ceiling** : Mirror stainless steel, Acrylic transparent plate
- Car wall** : Rose gold mirror stainless steel + rose gold mirror etching stainless steel
- Floor** : Marble



FGLEC -1010

- Ceiling** : Mirror stainless steel, Bronze sandblasted stainless steel
- Car wall** : Bronze mirror stainless steel, wooden plate, Bronze sandblasted mirror stainless steel, Sandblasted stainless steel
- Floor** : Marble



FGLEC -1011

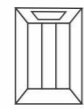
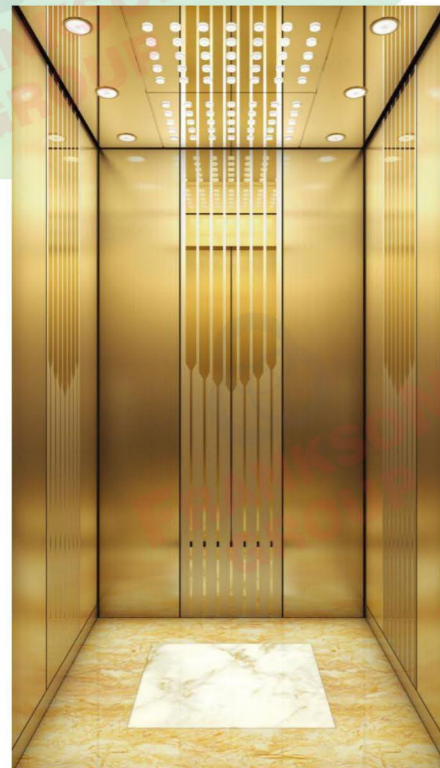
- Ceiling** : PVD coating black hairline stainless steel, Acrylic transparent plate
- Car wall** : PVD coating black hairline stainless steel, wooden plate, mirror etching stainless steel
- Floor** : Marble



FGLEC -1012

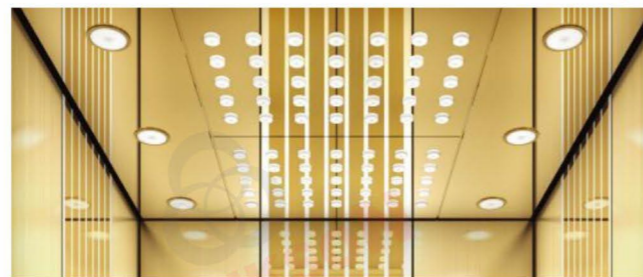
- Ceiling** : PVD coating black mirror stainless steel, PVD coating black hairline stainless steel
- Car wall** : Wooden plate, PVD coating black mirror stainless steel, Mirror etching stainless steel
- Floor** : Marble

Cabin Design



FGLEC -1013

- Ceiling** : Mirror stainless steel, Acrylic light decoration, LED lighting
- Car Wall** : Titanium stainless steel, Titanium mirror etching stainless steel
- Handrail** : None
- Floor** : PVC



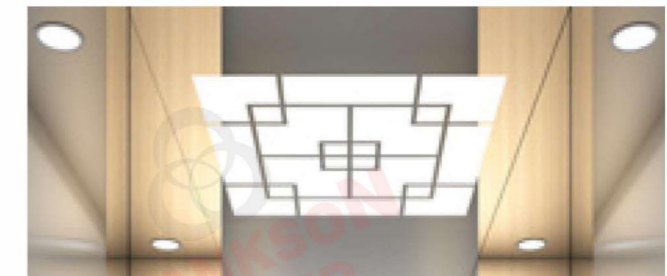

FRANKSON®
GROUP
 Elevator & Escalator

www.franksonlevator.com



FGLEC -1016

- Ceiling** : Mirror stainless steel, Acrylic transparent plate
- Car wall** : Sandblasted stainless steel + wooden Mirror stainless steel
- Floor** : PVC

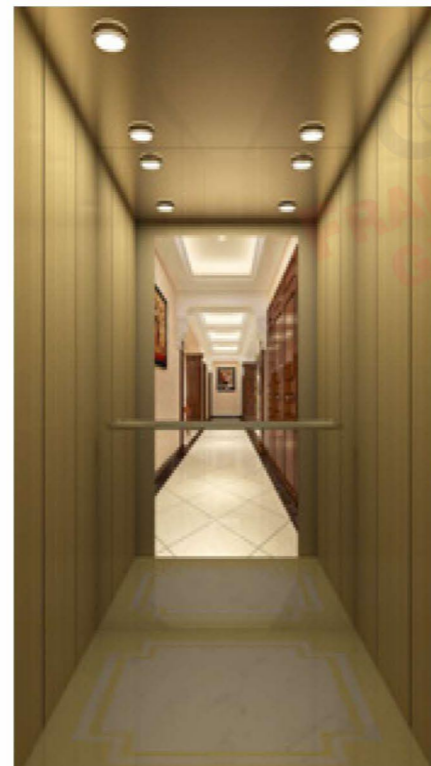



FRANKSON®
GROUP
 Elevator & Escalator



FGLEC -1014

- Ceiling** : Mirror stainless steel, Acrylic transparent plate
- Car wall** : Sandblasted stainless steel + wooden Mirror stainless steel
- Floor** : PVC



FGLEC -1015

- Ceiling material** : Mirror stainless steel
- Car wall material** : Wooden laminate + S.S. Mirror
- Floor** : Marble



FGLEC -1017

- Ceiling Material** : Stainless steel mirror
- Light type** : 10 spots and fiber optics
- Walls** : Combination of stainless steel checks
- Floor** : Artificial granite regal red
- Handrail** : 105 stainless steel mirror
- Mirror** : Half width / Full width



FGLEC -1018

- Ceiling Material** : White steel sheet
- Light type** : 2 fluorescent tubes
- Walls** : Skinplate A90GTA
- Floor** : Elastic black metal
- Handrail** : K2 aluminium
- Mirror** : Half width / Full width COP

Landing Door



Wooden Door With 4 Panel

Safety



Door Safety Shoe

If passenger or object come into contact with the safety shoe on the door edge when the door is closing, the door automatically re-opens to ensure safe operation, as a standard feature.



Safety Ray (2 Beams)

The door feature a pair of photoelectric beams that detects passenger and objects. if passenger or object is detected when the doors are closing, the doors will automatically reverse and open without making contact. This feature adds an extra level of safety to SED series.



Wooden Door

FRANKSON[®]
GROUP
Elevator & Escalator

www.franksonelevator.com



Full Glass Auto Door



Center Opening Glass Auto Door
(Big Vision)

FRANKSON[®]
GROUP
Elevator & Escalator



Touch Screen with LCD Surface Mounted design with Plexiglass Panel and Zinc Alloy Out Frame



Operation Panel



Manual Full Glass Door

COP & LOP



- Identify the hand gesture to register the hall call through human body infrared technology.
- High sensitivity, can identify human gloved hands.
- Ease to use, hand swing upwards or downwards to trigger the hall call.

Landing Operating Panel



Touch Screen with LCD Surface Mounted design with Plexiglass Panel and Zinc Alloy Out Frame

Car Operating Panel



Oval Type Push Button



Horizontal Display



S.S. COP



S.S. LOP



Golden COP



Golden LOP



Touch COP



Touch LOP



Glass COP



Glass LOP

FRANKSON GROUP
Elevator & Escalator

Our control panels, for both car and landing, use technologically advanced products of modern design and functionality.

The integration of buttons, symbols, communication, alarms, security and key functions ensures the passengers is in full control. Total Elevators range of push button panels, both in the car and on the landing, are of the highest quality and can be mounted to suit any architectural requirements.

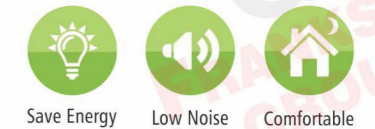
www.franksonelevator.com

FRANKSON GROUP
Elevator & Escalator

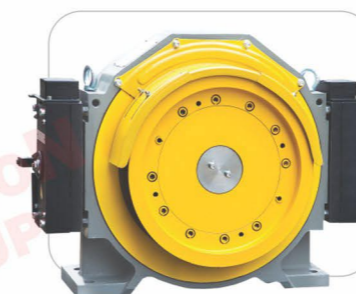
Gearless Machine



Mini Gearless Machine



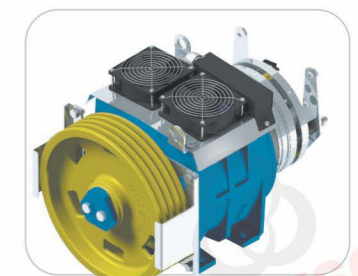
Save Energy Low Noise Comfortable



Gearless Machine



Home Lift Single Phase Gearless Machine



Gearless Machine

High Precision Positioning Control System



ARL - 700 Controller



ARL - 300 Controller



ARL - 500 Controller



MRL Controller

- www.franksonelevator.com
- www.frankson.in
- www.franksongroup.com



CE-4046 Certification



ISO 45001 : 2018 Certified Company



ACCREDITED
Managements
Systems
Certification
Body
MSCD-119



ISO 9001 : 2015 Certified Company
ISO 14001 : 2015 Certified Company



Elevator & Escalator

All Over India & International Branch

Kolkata Branch :

Chinar Park Rajarhat,
(Opposite to Teghoria Loknath Mandir)
K.R. Plaza, Ground Floor, Kolkata - 700157.

Phone : +91 33 2516 0456, 2516 0457,
2986 0651

Hotline : 90075 56123, 97351 20009,
97357 84005

Factory Address:

Malayapur, Raghunathpur Baduria 24 PGS
(North Wst Bengal) Pin - 743401
Phone : 03217 237061 / 9476483337

E-mail : franksonelevator@gmail.com
franksonlift@gmail.com
sales@frankson.in
service@frankson.in
complain@frankson.in



+ 91 9007556123



+ 91 9735784005